

NOTES:

1.0 ELECTRICAL SPECIFICATIONS:

- 1.1 FREQUENCY RANGE: DC to 18.0 GHz
- 1.2 ATTENUATION VALUES: 1 THRU 30dB
IN 1dB INCREMENTS (SEE TABLE)

1.3 ATTENUATION ACCURACY:

| DC to 12.4 GHz | | 12.4 to 18.0 GHz | |
|----------------|---------|------------------|---------|
| 1 - 4dB | ±0.75dB | 1 - 4dB | ±0.75dB |
| 5 - 8dB | ±0.75dB | 5 - 8dB | ±1.00dB |
| 9 - 12dB | ±1.00dB | 9 - 12dB | ±1.25dB |
| 13 - 20dB | ±1.50dB | 13 - 20dB | ±1.50dB |
| 21 - 30dB | ±2.00dB | 21 - 30dB | ±2.00dB |

1.4 MAXIMUM VSWR:

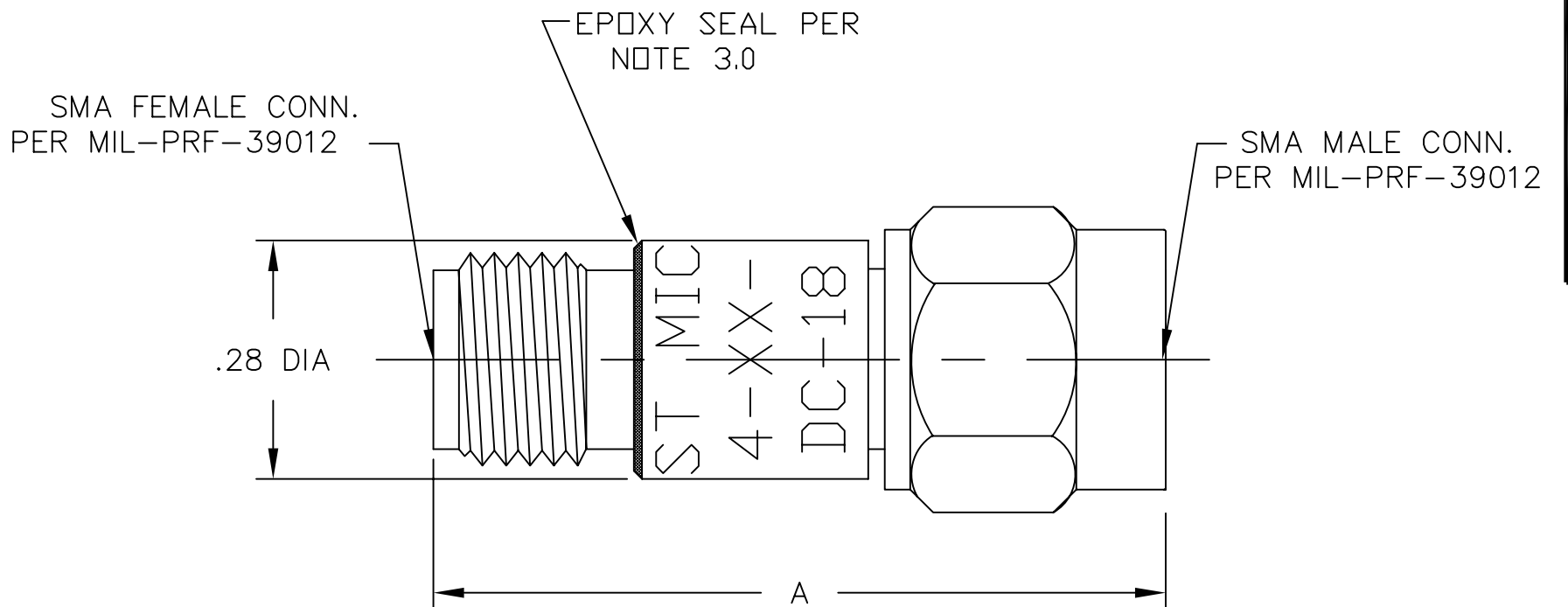
| | |
|-------------------|--------|
| DC to 4.0 GHz: | 1.25:1 |
| 4.0 to 12.4 GHz: | 1.45:1 |
| 12.4 to 18.0 GHz: | 1.65:1 |

1.5 MAXIMUM INPUT POWER: 2 WATTS AVG.
AT +25°C DERATED LINEARLY TO
0.5 WATTS AT +125°C

1.6 OPERATING TEMP. RANGE: -65°C to +125°C

2.0 MARKING: MARK UNIT AS SHOWN
(REF.: INK-03815-27-XX)

3.0 EPOXY UNIT AS SHOWN (REF.; EPX-08000-44-01)



| ATTENUATION VALUE | DIM A |
|-------------------|-------|
| 0-12 dB | .86 |
| 13-30 dB | 1.02 |
| 31-40 dB | 1.13 |

DWG NO. WAS: 02333-01-00

MODEL NUMBER
ATT-0444-XX-SMA-02
REV.
S

| REV. | DESCRIPTION | DATE |
|------|----------------|----------|
| - | RELEASED | 2/23/79 |
| H | ECR 5402 | 6/11/87 |
| I | ECR 6269 | 11/1/88 |
| J | ECR 6545 | 6/29/89 |
| K | ECR 7107 | 1/25/90 |
| L | ECR 7121 | 1/25/90 |
| M | ECR 6933 | 1/26/90 |
| M1 | SHOW CORR. P/N | 2/15/90 |
| N | ECN 10832 | 9/3/91 |
| O | REDRAW ON CAD | 4/2/92 |
| P | ECN 14825 | 10/30/96 |
| R | ECN 19049 | 2/24/03 |
| S | ECN 21171 | 1/5/07 |

| | | | | |
|---|---|--------------------------------|--------------------------------------|--------------|
| UNLESS OTHERWISE NOTED DIMENSIONS ARE IN INCHES AND TOLERANCES ARE: 3 PLACE DECIMALS ±.005 2 PLACE DECIMALS ±.02 FRACTIONS ±1/64 PARALLELITY: T.I.R. _____ FLATNESS: T.I.R. _____ CONCENTRICITY: T.I.R. _____ ANGLES AND PERPENDICULARITY: ±1° | FSCM NO. 34078 | MIDWEST MICROWAVE | | |
| | NOTICE: The information contained in this drawing is proprietary and must not be used without the permission of Midwest Microwave | | TITLE ATTENUATOR | |
| | DRAWN/DATE A.BEATTY 4/2/92 | ENG./DATE G.KOZAK 4/9/92 | DRAWING NUMBER ATT-0444-XX-SMA-02 | |
| | CHECKED/DATE | APPROVED/DATE | SCALE: 5=1 | SHEET 1 of 1 |