

## DESCRIPTION

AMC MODEL SW-2181-2 IS A REFLECTIVE BROAD-BAND SPDT SWITCH MODULE WITHOUT DRIVER CIRCUITRY, PACKAGED IN A MINIATURE CONNECTORIZED HOUSING.

## SPECIFICATIONS

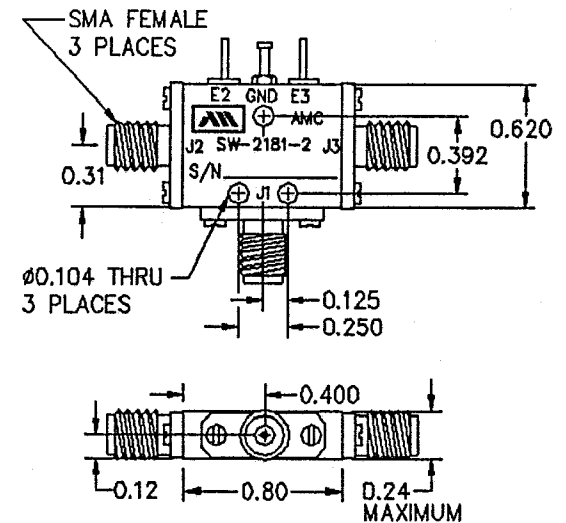
- FREQUENCY RANGE ..... 0.3-20 GHz MINIMUM
- INSERTION LOSS ..... 3.0 dB MAXIMUM
- ISOLATION ..... 0.3-18 GHz, 60 dB MINIMUM  
18-20 GHz, 55 dB MINIMUM
- VSWR (ON) ..... 2.0:1 MAXIMUM
- RF POWER RATINGS ..... +27 dBm CW MAXIMUM
- SWITCHING TIME
  - RISE (10% RF TO 90% RF) ..... 10 ns MAXIMUM
  - FALL (90% RF TO 10% RF) ..... 10 ns MAXIMUM
  - ON (50% TTL TO 90% RF) ..... 20 ns MAXIMUM
  - OFF (50% TTL TO 10% RF) ..... 20 ns MAXIMUM
- CONTROLS ..... CURRENT CONTROLLED  
2 INDEPENDENT CONTROLS  
+20 mA = ISOLATION  
-20 mA = INSERTION LOSS  
(SEE TRUTH TABLE)
- CONNECTORS
  - RF INPUT/OUTPUT ..... SMA (FEMALE)
  - CONTROL ..... SOLDER PIN
- SIZE ..... 0.80" x 0.62" x 0.24"

## AVAILABLE OPTIONS

- A04 ..... INPUT/OUTPUT VIDEO FILTER (0.5 dB EXCESS LOSS)
- A05 ..... EXTENDED FREQUENCY RANGE TO 100 MHz
- A06 ..... 2 WATTS CW MAXIMUM (2-20 GHz)
- A13 ..... J1 SMA MALE, J2 AND J3 SMA FEMALE
- A14 ..... J1 SMA FEMALE, J2 AND J3 SMA MALE
- A15 ..... REMOVABLE CONNECTORS (DROP IN APPLICATIONS)

REVISIONS				
ZONE	REV.	DESCRIPTION	DATE	APPROVED
	A	ORIGINAL RELEASE, AMC DWG# 200-1613	11/22/92	<i>[Signature]</i>

## MECHANICAL OUTLINE



TRUTH TABLE		
E3	E2	RF PATH
+20mA	-20mA	J1-J2
-20mA	+20mA	J1-J3

- NOTES:
- 1) DIMENSIONS ARE IN INCHES
  - 2) TOLERANCES: X.XX ±0.020  
X.XXX ±0.010
  - 3) WEIGHT: APPROX. 1.0 OZ

## ENVIRONMENTAL RATINGS

- TEMPERATURE ..... -55°C TO +95°C (OPERATING)  
-65°C TO +125°C (STORAGE)
- HUMIDITY ..... MIL-STD-202F, METHOD 103B COND. B
- SHOCK ..... MIL-STD-202F, METHOD 213B COND. B
- VIBRATION ..... MIL-STD-202F, METHOD 204D COND. B
- ALTITUDE ..... MIL-STD-202F, METHOD 105C COND. B
- TEMPERATURE CYCLE ..... MIL-STD-202F, METHOD 107D COND. A



AMERICAN MICROWAVE CORPORATION

7311G GROVE RD., FREDERICK, MD. 21701  
TEL: (301) 662-4700 FAX: (301) 662-4938

APPROVALS	DATE
<i>[Signature]</i>	11/22/92
<i>[Signature]</i>	11/22/92

PRODUCT FEATURE

SW-2181-2

0.3-20 GHz, REFLECTIVE SPDT SWITCH MODULE

SIZE A SHEET 1 OF 2 DWG. # 100-2903